

# NOVEL

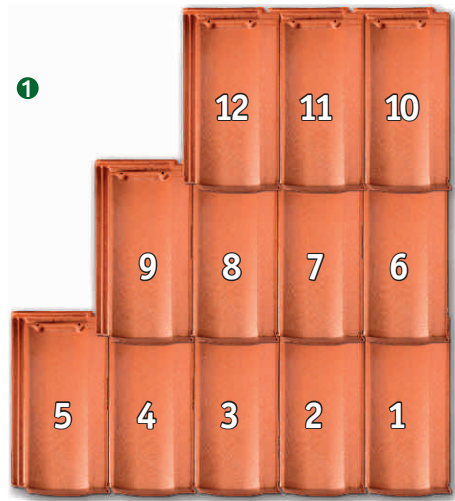
ROOF TILE

Produced in Natural, Glazed and in color palette

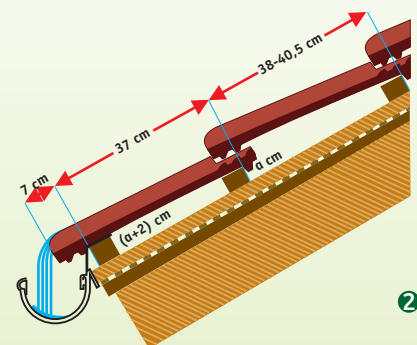
They come along with a great range of roof accessories for a complete roof in technical and aesthetic terms

Ideal architectural option for modern roofs requiring flat surface

The overlapping surface may fluctuate depending on the roof designs  
(variable gauge and large play easily suiting all roofs)



Dimensions (mm)	475x245
Tiles/m <sup>2</sup>	11
Tile weight (kg)	3,65
Weight/m <sup>2</sup> (kg/m <sup>2</sup> )	40,1
Flexural Strength (N) (EN 538)	>1200
Water impermeability (EN 539-1, Pass Category 1, Test Method 2)	Pass
Frost Resistance (EN 539-2, Class 1)	150 cycles
Batten distance (cm)	max 41,0



- For proper installation follow the numerical sequence shown on the indicated image (1)
- The first batten should be 2cm higher than all the other battens, to achieve a symmetric installation (2)
- The distance between the edge of the first tile and the first batten should be 7cm (2)
- The distance between battens should be max 41,0 cm (2)
- Proper installation of Ventilation Roof Accessories will assure a good hydrothermal behavior and preservation of the roof structure as well
- A breathable, waterproof membrane should be laid below the roof tiles for better water tightness

Recommended minimum roof slope using covering (eg membrane):  
**30% (17°)**

EST. 1935  
**KOTHALI**  
**KEBE**  
NORTHERN GREECE CERAMICS

Follow us...  
f b  
www.kebe-sa.gr

Nea Santa, 61100 Kilkis, Greece  
T: +30 23410 75570  
e-mail: trade@kebe-sa.gr

# IDEAL MARSEILLE

ROOF TILE

Produced in Natural, Glazed and in color palette

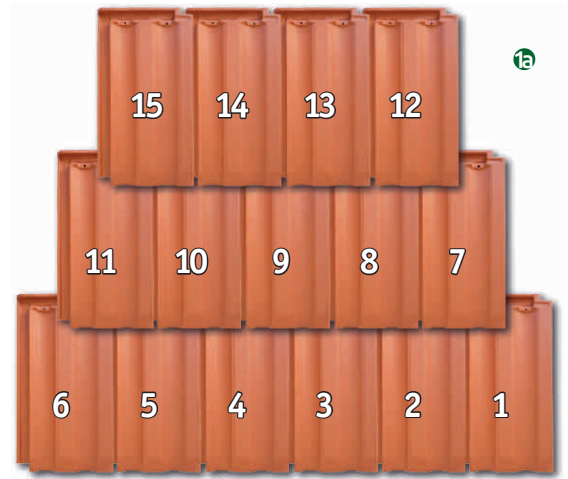
They come along with a great range of roof accessories for a complete roof in technical and aesthetic terms

Modern aesthetics, combination of the classic model in a flat and modern mould

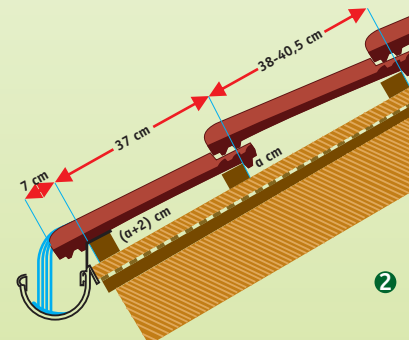
The overlapping surface may fluctuate depending on the roof designs (variable gauge and large play easily suiting all roofs)



- For proper installation follow the numerical sequence shown on the indicated image (1a or 1b)
- The first batten should be 2cm higher than all the other battens, to achieve a symmetric installation (2)
- The distance between the edge of the first tile and the first batten should be 7cm (2)
- The distance between battens should be max 41,0 cm (2)
- Proper installation of Ventilation Roof Accessories will assure a good hydrothermal behavior and preservation of the roof structure as well
- A breathable, waterproof membrane should be laid below the roof tiles for better water tightness



Dimensions (mm)	480x250
Tiles/m <sup>2</sup>	11
Tile weight (kg)	3,65
Weight/m <sup>2</sup> (kg/m <sup>2</sup> )	40,1
Flexural Strength (N) (EN 538)	>1200
Water impermeability (EN 539-1, Pass Category 1, Test Method 2)	Pass
Frost Resistance (EN 539-2, Class 1)	150 cycles
Batten distance (cm)	max 41,0



Recommended minimum roof slope using covering (eg membrane):  
**30% (17°)**